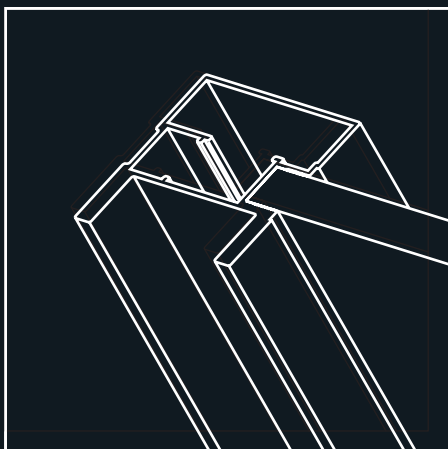


SLIDING DOOR SYSTEM_ S34 BI-FOLD

PRODUCT LIST



System description

Accessories

raumplus

SLIDING DOOR SYSTEM_ S34

1.0_ System description_ page 03

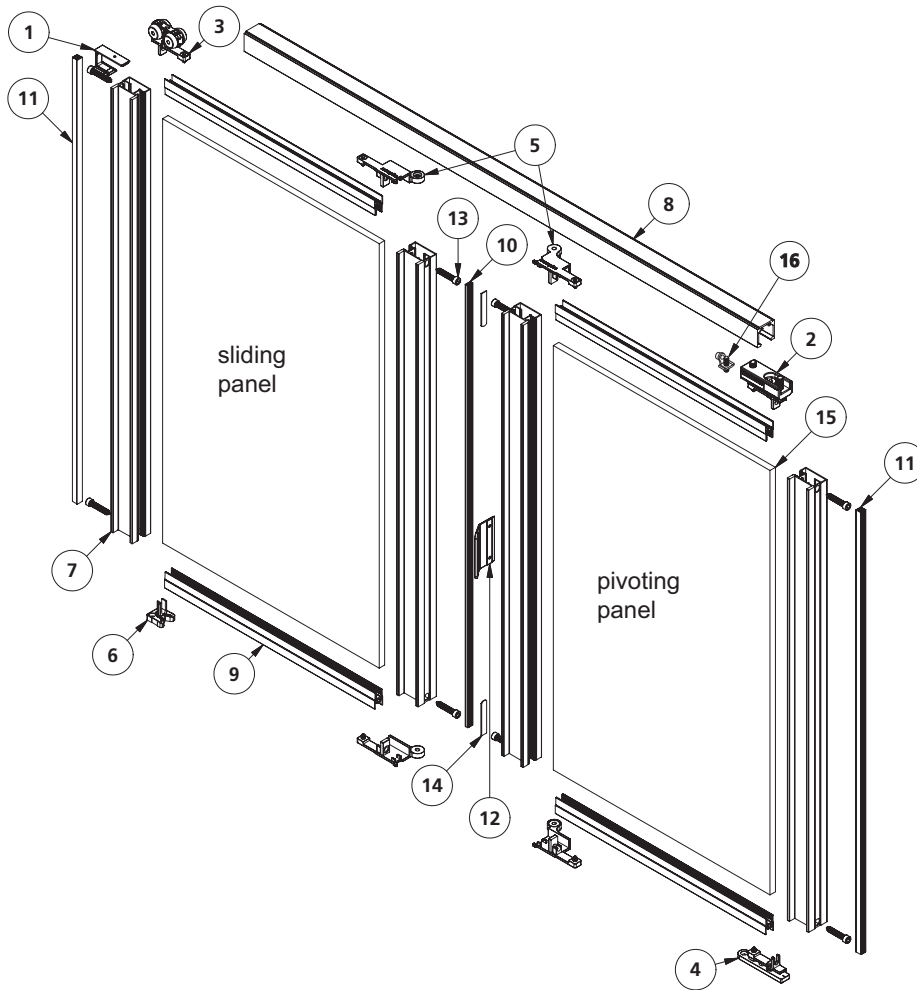
2.0_ Profiles_ page 04

3.0_ Profile finishes_ page 05

4.0_ Panels_ page 06 - 09

5.0_ Top track_ page 10

6.0_ Accessories_ page 11 - 12



Each folding door is composed of the following:

- Top track
8_ Folding door top track
Door
1_ Positioning for folding door (1)
2_ Upper Bi-fold hinge (1)
3_ Top roller + pick-up element (1)
4_ Lower Bi-fold hinge + mounting plate (1)
5_ Center hinge, top and bottom (1)
6_ Pin with catch
7_ S300 Asymmetrical stile (4)
9_ Top and bottom rail, folding door (4)
10_ Brush gasket (2)
11_ Brush gasket, special version (1)
12_ Bi-fold handle (1)
13_ Frame screw (8)
14_ Plug for punched hole (4)
15_ Panel (2), not included with frame kit
16_ Stopper for top track (1)

1.1_ Overview

The key features of our made-to-measure system are versatility in customization and quality of our hardware allowing for individual solutions and unparalleled operation. The compact depth of the S34 system creates an ideal solution for closet doors in residential applications.

Doors can be ordered fully assembled with our standard panel materials or as frame kits to accommodate a panel material of your choosing. Assembly of doors with customer's own materials (COM) is available; please contact Raumplus for more information.
Door panels ship unattached for ease of installation.

1.2_ Fully assembled

Made-to-measure per specifications with the following design parameters:

- _ Maximum height 2750 mm [9'- 0"]
- _ Maximum width 1500 mm [5'- 0"]
- _ Maximum weight 60kg [130lbs, per bi-fold (2 panel)]

1.3_ Frame kit

Frame kits are made-to-measure per specifications and ready for assembly using customer's own panel material. In addition to the design parameters listed for fully assembled doors, please consider the following:

- _ Minimum panel thickness 4mm [5/32"]
- _ Maximum glass thickness 8mm [5/16"]
- _ Maximum solid panel thickness 10mm [3/8"]

Appropriate panel gasket to be specified when ordering:

- _ 4mm [5/32"]
- _ 5mm [3/16"]
- _ 6mm [1/4"]
- _ 7mm [9/32"]
- _ 8mm [5/16"]

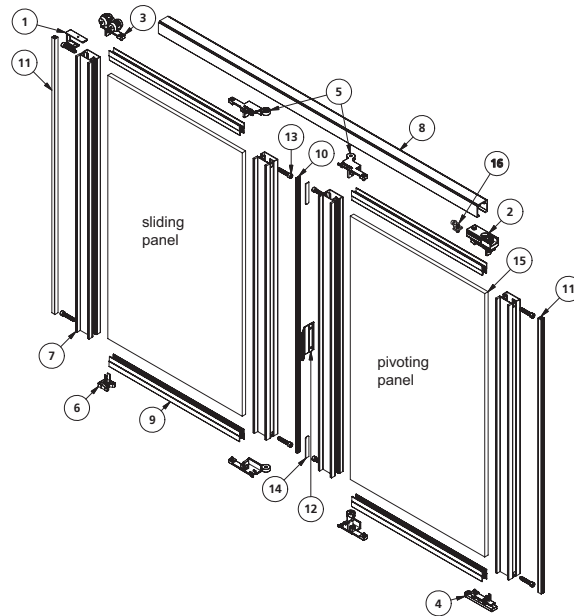
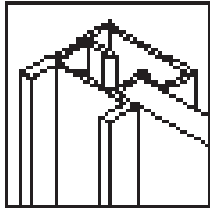
*Gasket not required for solid 10mm [3/8"] material

SYSTEM DESCRIPTION_ S34 BI-FOLD

FOLDING DOOR SYSTEM

2_ Profiles

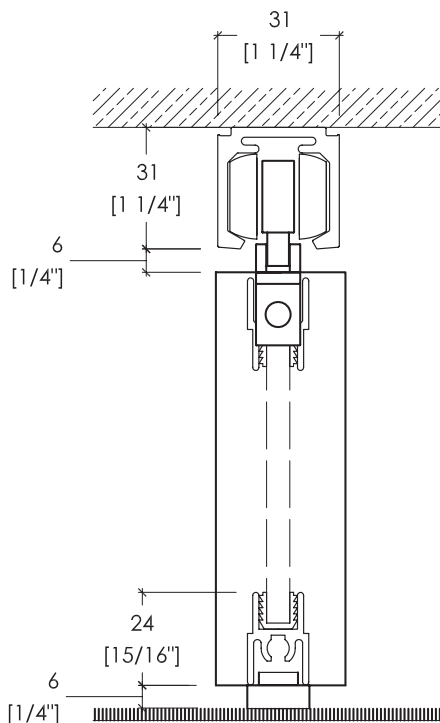
2.1_ S300 Isometric view



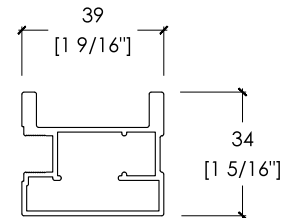
Each folding door is composed of the following:

- Top Track
- 8_ Folding door Top track
- Door
- 1_ Positioning for folding door (1)
- 2_ Upper Bi-fold hinge (1)
- 3_ Top roller + pick-up element (1)
- 4_ Lower Bi-fold hinge + mounting plate (1)
- 5_ Center hinge, top and bottom (1)
- 6_ Pin with catch (1)
- 7_ S300 Asymmetrical stile (4)
- 9_ Top and bottom rail folding door (4)
- 10_ Brush gasket (2)
- 11_ Brush gasket, special version (1)
- 12_ Bi-fold handle (1)
- 13_ Frame screw (8)
- 14_ Plug for punched hole (4)
- 15_ Panel (2), not included with frame kit
- 16_ Stopper for top track (1)

S300 Section and stile detail



Asymmetrical



S300 Stile

Finish

Standard: Clear anodized aluminum (silver)

Application

Residential projects

Closet doors. not suitable for room dividers

Dimensions

Max size 1500mm x 2750mm [5' x 9'] (Two panels)

Max weight 60kg [130lbs, per bi-fold (2 panel)]

Panel thickness 4mm [3/16"] to 10mm [3/8"], 3/8" no panel gasket

3_ Profile finishes

3.1_ Standard finish _ Clear anodized aluminum (silver)

A factory applied finish, anodizing increases wear resistance and gives the surface a smooth matte aluminum appearance. Color for representation purposes only.



Standard finish
Clear anodized (silver)

SYSTEM DESCRIPTION_ S34 BI-FOLD

FOLDING DOOR SYSTEM

4_ Panels

4.1_ MDF

Medium density fiberboard (MDF) is an engineered wood product made of wood fibers, wax and resin. MDF is an ideal surface for painting, application of direct glue wall-covering, or a base for upholstered panels. Maximum size 1219mm x 2438mm [4'-0" x 8'-0"]. Colors for representation purposes only.



MDF
6mm [1/4"]

4.2_


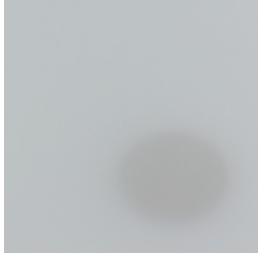
Double-sided magnetic marker board is a white dry erase board. Maximum size 1219mm x 2743 [4'-0" x 9'-0"]. Available as single or double sided. Colors for representation purposes only.



6mm [1/4"]


4.3_ Laminated glass

Laminated glass, often referred to as "safety glass", is strong and durable and designed to maintain its integrity in the event of breakage. Maximum size 1524mm x 2743mm [5'-0" x 9'-0"]. Colors for representational purposes only.

				
Clear 6mm [1/4"]	Diffused white 6mm [1/4"]			

4.4_ Tempered glass

Tempered glass is manufactured to exact size and is stronger than regular glass. If broken the glass shatters into small fragments instead of sharp shards. Maximum size 1524mm x 2438mm [5'-0" x 8'-0"]. Colors for representation purposes only.

				
Clear 6mm [1/4"]	Satin etched 6mm [1/4"]			

4.5_ Mirrored glass

Silver mirror backed with a safety film. Single-sided mirror only, best used for closets. Maximum size 1219mm x 2743mm [4'-0" x 9'-0"]. Colors for representation purposes only.

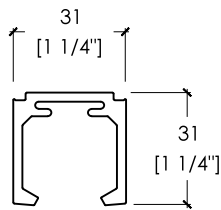
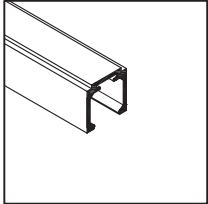
				
Mirror 4mm [5/32"]				

SYSTEM DESCRIPTION_ S34 BI-FOLD

FOLDING DOOR SYSTEM

5_ Top track

5.1_ S34 Bi-fold top track



15.45.020

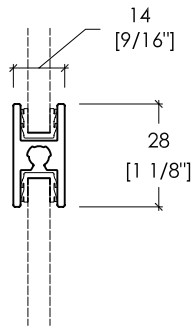
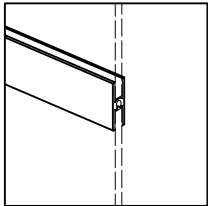
S34 Bi-Fold top track

Finish
Standard

Description
Ceiling-mounted (only), can not be recessed
Max length 4877mm [16'-0"]
No end caps available

6_ Accessories

6.1_ True divider



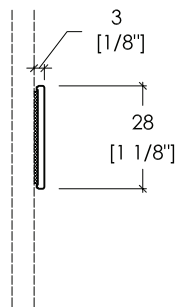
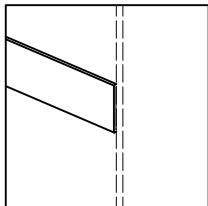
13.22.020

True dividing rail

Finish
Standard

Description
Use to partition different materials horizontally or *vertically within a door
*Consult raumplus for vertical partitioning, cannot combine horizontal and vertical true dividers within one door
Note: Frame kits not drilled for dividers

6.2_ Single-sided applied dividing rail



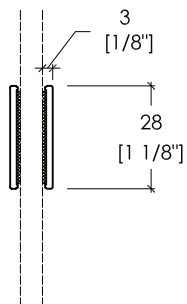
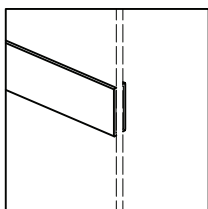
13.33.020

Single-sided applied dividing rail

Finish
Standard

Description
Provided with adhesive backing
Applied divider can be used horizontally or vertically

6.3_ Double-sided applied dividing rail



13.33.020

Double-sided applied dividing rail

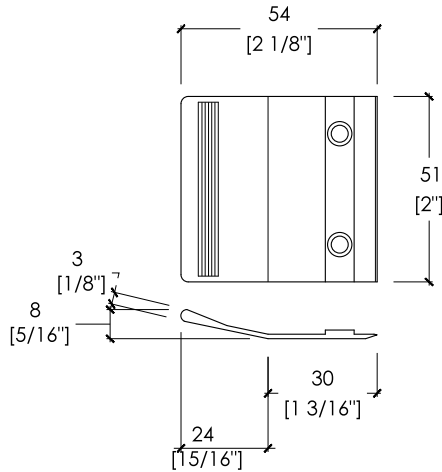
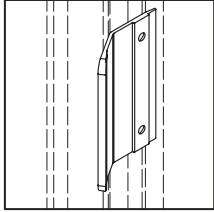
Finish
Standard

Description
Provided with adhesive backing
Applied divider can be used horizontally or vertically

SYSTEM DESCRIPTION_ S34 BI-FOLD

FOLDING DOOR SYSTEM

6.4_ S34 Bi-fold center handle



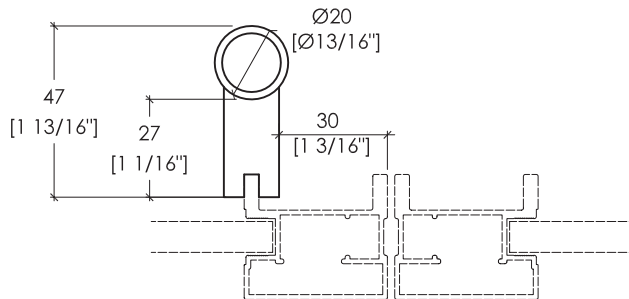
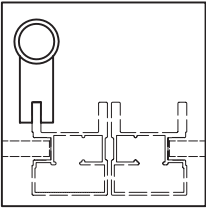
10.01.807

Center handle

Finish
Standard

Description
Used to pull door open.
Standard, included with bi-fold

6.5_ Rod handle



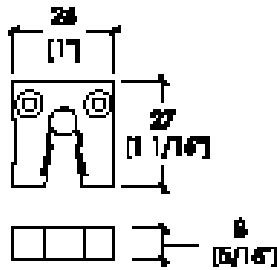
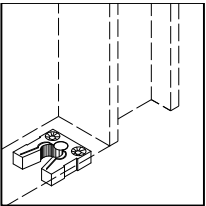
ACC-RDH-300

Rod handle for S300 bi-fold

Finish
Standard

Description
Adds vertical rod handle to S300 Bi-fold.
One or two per door, optional
*Includes plastic silver end caps
*Available in 305mm [1'-0\"] increments

6.6_ Catch

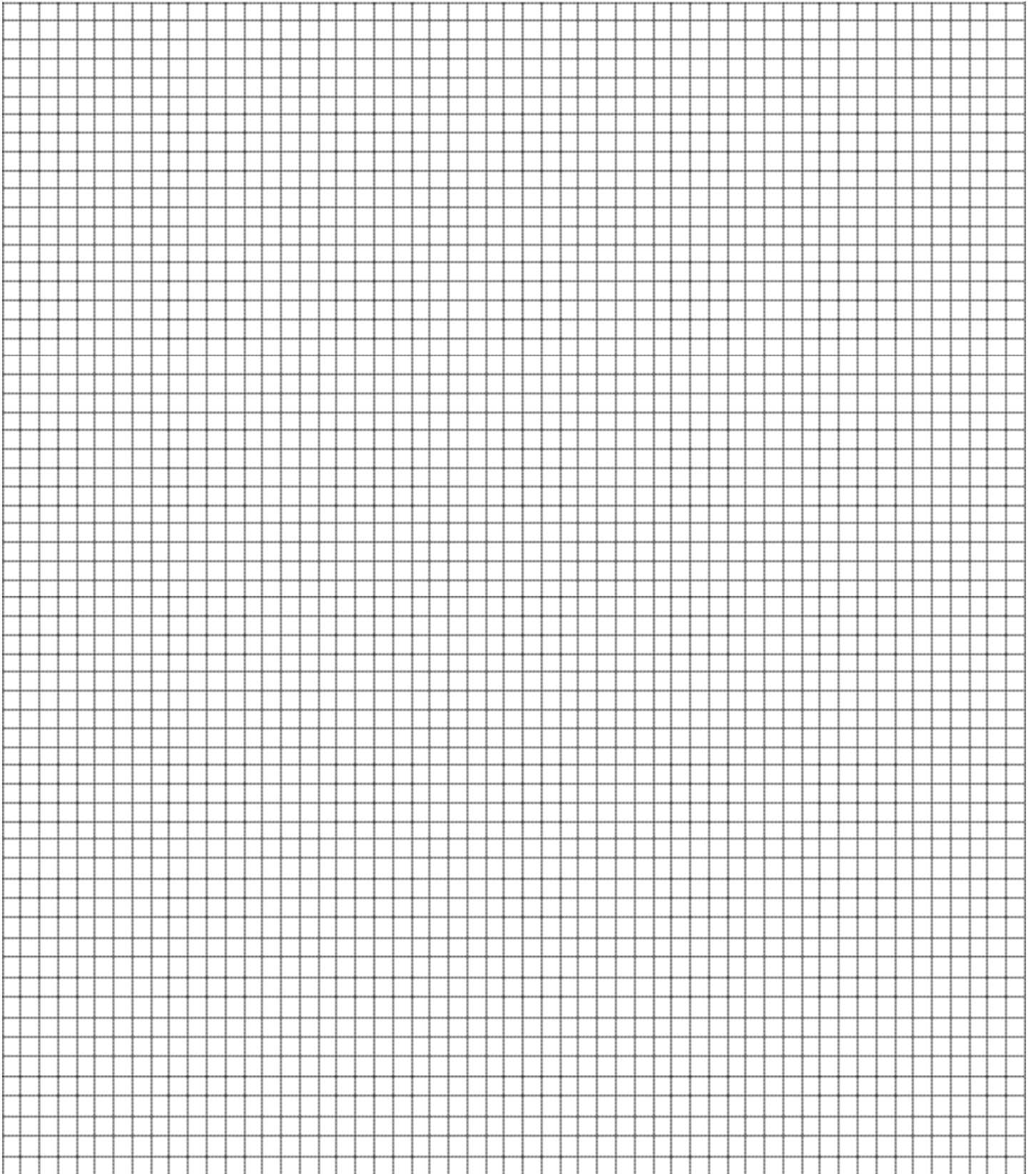


10.02.255

Pin and Catch

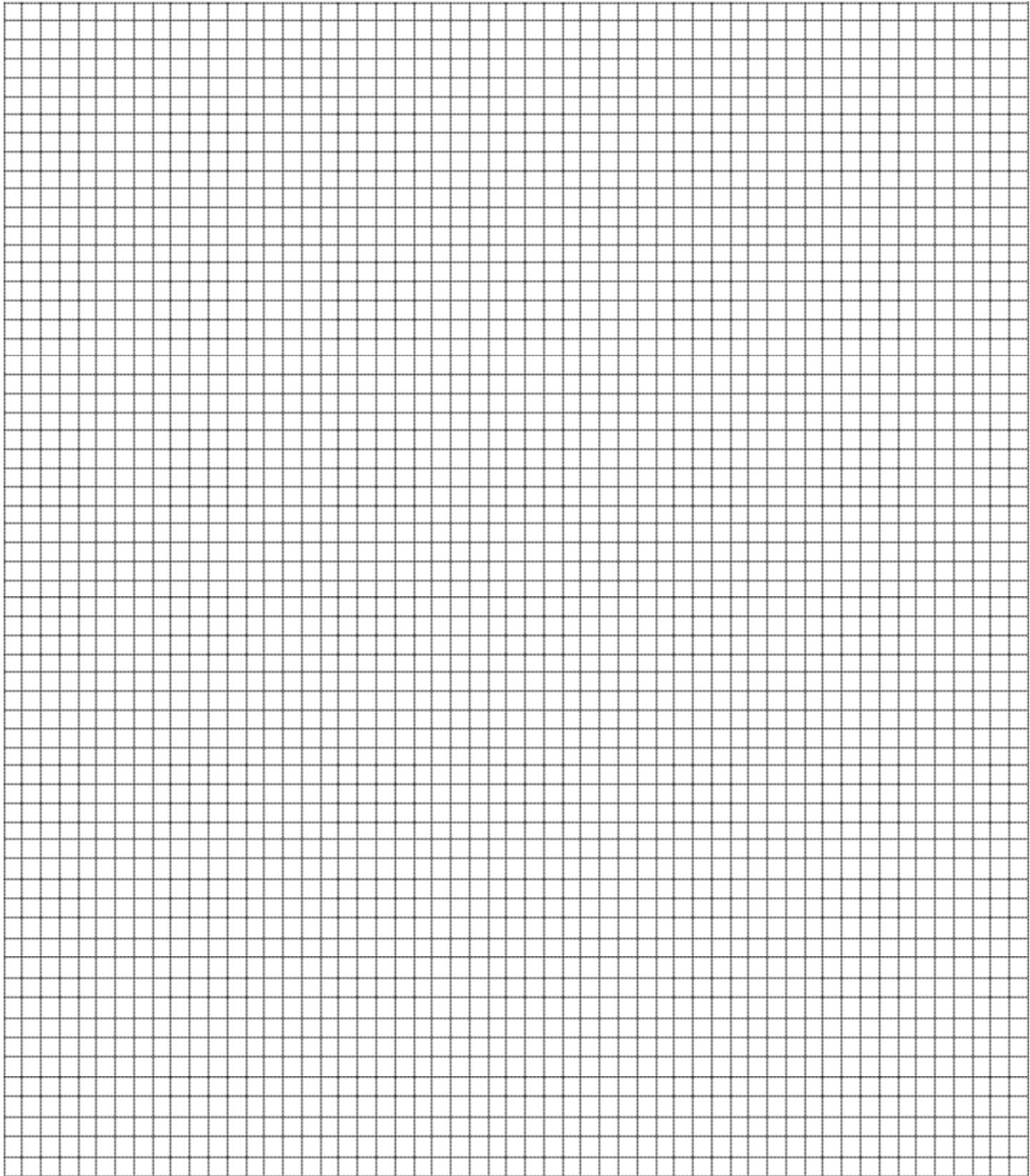
Finish
Grey plastic

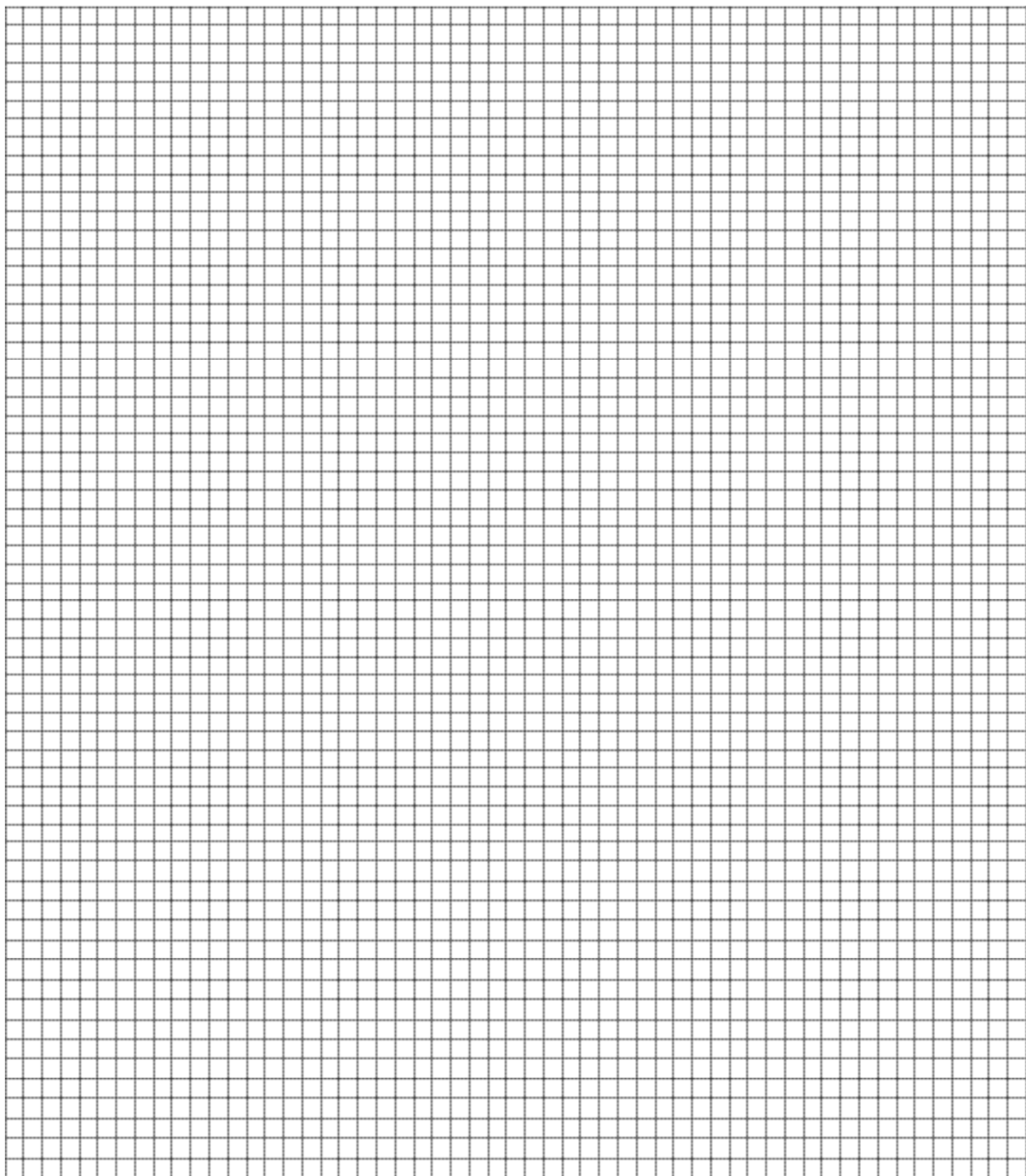
Description
Holds bottom of door in the closed position
Pin is exposed when door is in the open position. Pin sits 17mm [11/16\"] from opening on the floor.



SYSTEM DESCRIPTION_ S34 BI-FOLD

FOLDING DOOR SYSTEM





Technical specifications are subject to change. All rights reserved raumplus North America.
Should you have any further questions, please contact your raumplus representative.

Published by:
raumplus North America

Canada / USA 866 580 0112